

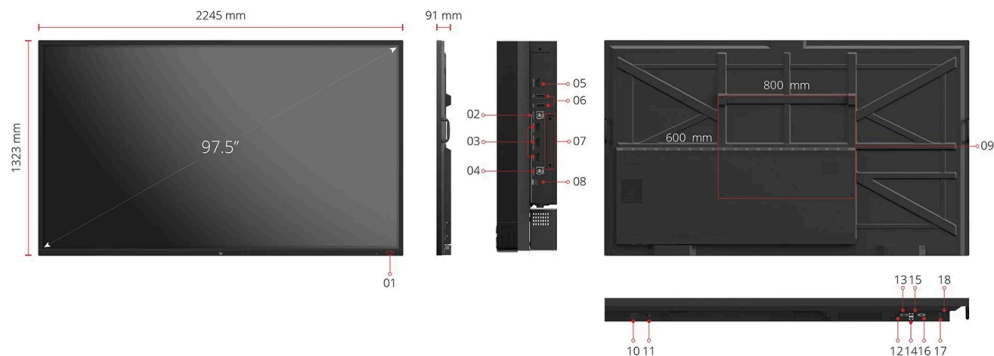
Key Features

- Natural pen-on-paper writing experience with Ultra Fine Touch technology
- Seamless plug-and-present connectivity via USB-C
- Native whiteboarding software for seamless annotation and collaboration
- Wireless content sharing and 4-way split screen for multiple contributors
- myViewBoard Manager for simplified and centralized display management



Product Description

The ViewBoard® 50-4 is a sleek 98" 4K interactive display purpose-built for seamless presentation in corporate and educational spaces. Simply connect your laptop or tablet via a single USB-C cable for instant and effortless presentation functionality. Annotate and collaborate in real-time using integrated myViewBoard® digital whiteboarding software and enjoy a naturally smooth writing experience supported by Ultra Fine Touch technology and dual fine-tipped pens for digital accuracy. And to allow multiple contributors within a single presentation, ViewBoard® Cast offers single sign-on wireless content sharing with up to a 4-way split screen. Encased in a stylishly slim bezel, the ViewBoard® 50-4 not only elevates any room, but also empowers IT teams with myViewBoard® Manager, a web-based remote management system, for simplified and centralized display management from anywhere, anytime.



DISPLAY

Panel Size:	98"
Panel Type:	TFT LCD Module with DLED Backlight
Display Area (mm):	2171.85(H) x 1232.35(V) (97.52"diagonal)
Aspect Ratio:	16:9
Resolution:	UHD 3840x2160(Pixels)
Colors:	1.07B colors (10bit)
Brightness:	350 nits (typ.)
Contrast Ratio:	DCR: 3000:1
Response Time:	8ms(TYP.)
Viewing Angles:	H = 178, V = 178typ.
Backlight Life:	30,000 Hours (Min)
Surface Treatment:	Anti-glare

PLATFORM

Processor:	ARM Cortex A73*4
RAM:	4GB DDR4
Storage:	32GB

TOUCH

Type/ Tech:	Ultra fine touch technology
Touch Resolution:	32768 x32768
Touch Point:	20 points touch, 10 points writing

INPUT

HDMI:	HDMI 2.0 x3 (3840x2160 @60Hz)
RGB / VGA:	x 1
Audio:	x 1
RS232:	x 1
OPS:	X1 PC Slot
WiFi:	x 1 WiFi Slot

OUTPUT

HDMI:	HDMI out 2.0 x1 (3840x2160 @60Hz)
Audio:	3.5mm * 1
SPDIF:	x1

LAN

RJ45:	x2
-------	----

USB

Type A:	USB2.0 x 1USB3.0 x 4
Type B:	x2, for touch
Type C:	x1

SPEAKERS

16Wx2

TOP CAMERA PLATE

YES

COMPATIBILITY

RGB PC/HDMI PC:	1920x1080
HDMI:	4K 60Hz/30Hz/1080p

EMBEDDED OS

Android 9

BUNDLE SOFTWARE

Basic Annotation Software:	myViewBoard for android
Pro Annotation Software:	myViewBoard for windows (Embedded in Windows Slot-in PC)
Wireless Presentation:	Viewboard Cast

SPECIAL FEATURES

All-in-one USB port:	Front "SmartPort USB" to all channels.
Simple LAN sharing between IFP and slot-in device:	Yes
Light Sensor:	Yes

POWER

Voltage:	100-240VAC +/- 10% Wide Range
Consumption:	On mode: 192.5W, Off mode< 0.5W

ERGONOMICS

Wall Mount (VESA®):	800*600
---------------------	---------

OPERATING CONDITIONS

Temperature (° C):	0°C to 40°C
Humidity:	10% ~ 90% RH non-condensing

DIMENSIONS (W X H X D)

Physical (inch / mm):	88.4 x 52.1 x 3.6 in /2245 x 1323 x 91 mm
Packaging (inch / mm):	95.9 x 58.8 x 13.6 in / 2435 x 1483 x 346 mm

WEIGHT

Net (lb / kg):	228.4lb / 103.6kg
Gross (lb / kg):	293.7lb / 133.2kg

REGULATIONS

FCC, cTUVus, EPEAT, ES8, LBL, CE, CB, RCM

PACKAGE CONTENTS

1. Power cord
2. Remote control with AAA battery
3. USB cable for touch
4. Touch pen x 2
5. Quick Start Guide
6. RS232 adapter
7. Clamp x 5
8. Camera plate
9. Screw x 8
10. HDMI cable
11. USB Type-C cable

COMPATIBLE SLOT-IN PC

VPC12-WPO series/VPC25-O series/VPC27-O series
--